



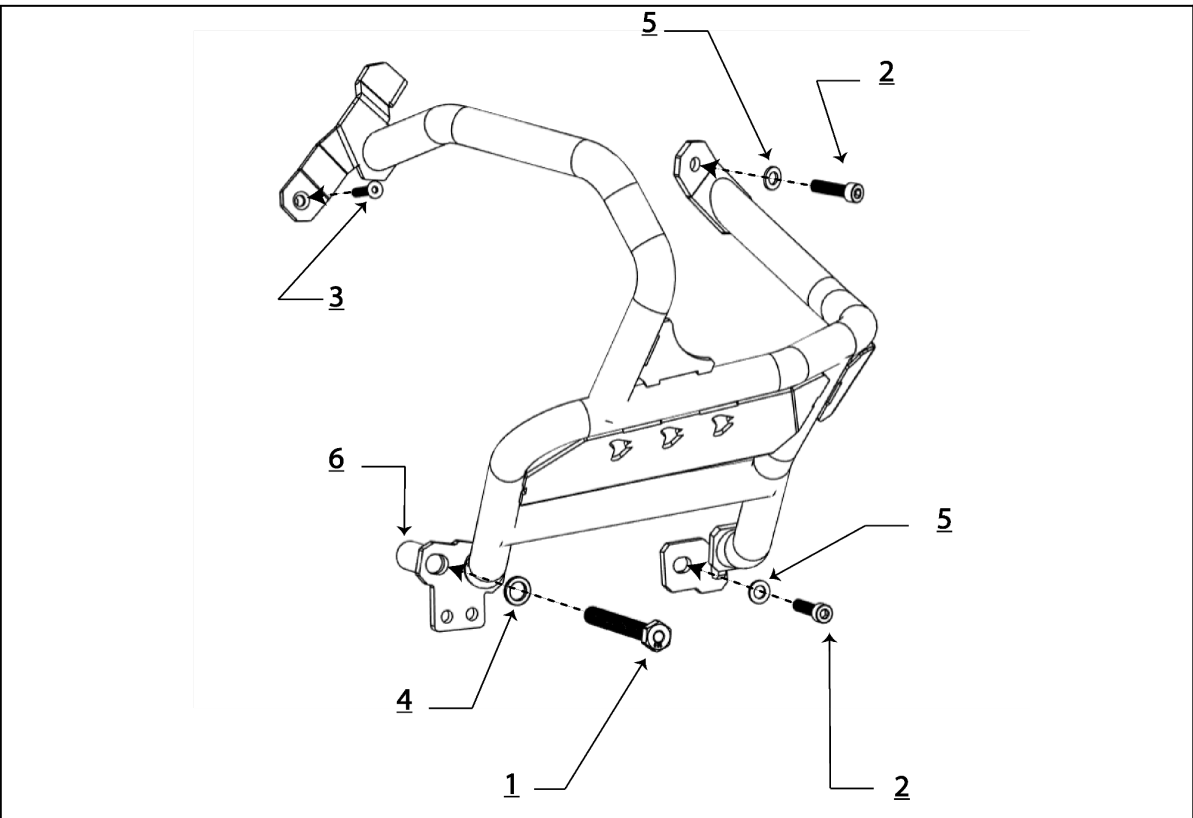
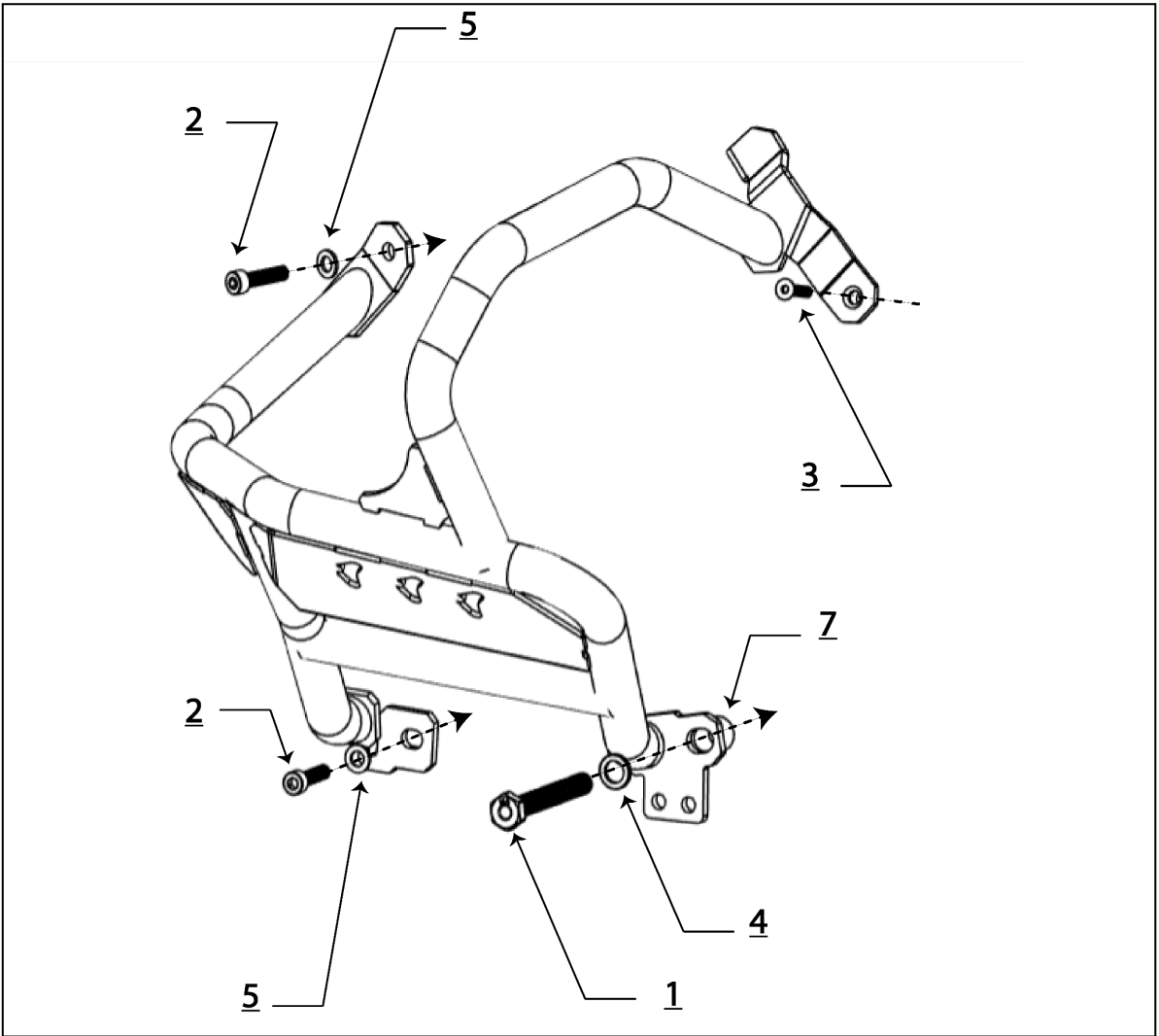
**OUTERFACE
MOTORCYCLES**

BMW R 1300 GS

QUICK ASSEMBLY GUIDE | LOWER CRASH BARS

FOR FULL INSTALLATION INSTRUCTIONS, PLEASE WATCH [THIS VIDEO](#).

Number	QTY	Specifications	Torque (NM)
<u>1</u>	2	M12 x 100mm Hex Bolt	*
<u>2</u>	4	M8 x 35mm Allen Head	23
<u>3</u>	2	M6 x 35mm Allen Head	10
<u>4</u>	2	M12 Washer	-
<u>5</u>	2	M8 Washer	-
<u>6</u>	1	Long Spacer	-
<u>7</u>	1	Short Spacer	-



* PLEASE REFER TO THE OWNER'S (OR SERVICE) MANUAL FOR OEM TORQUE SPECIFICATIONS.